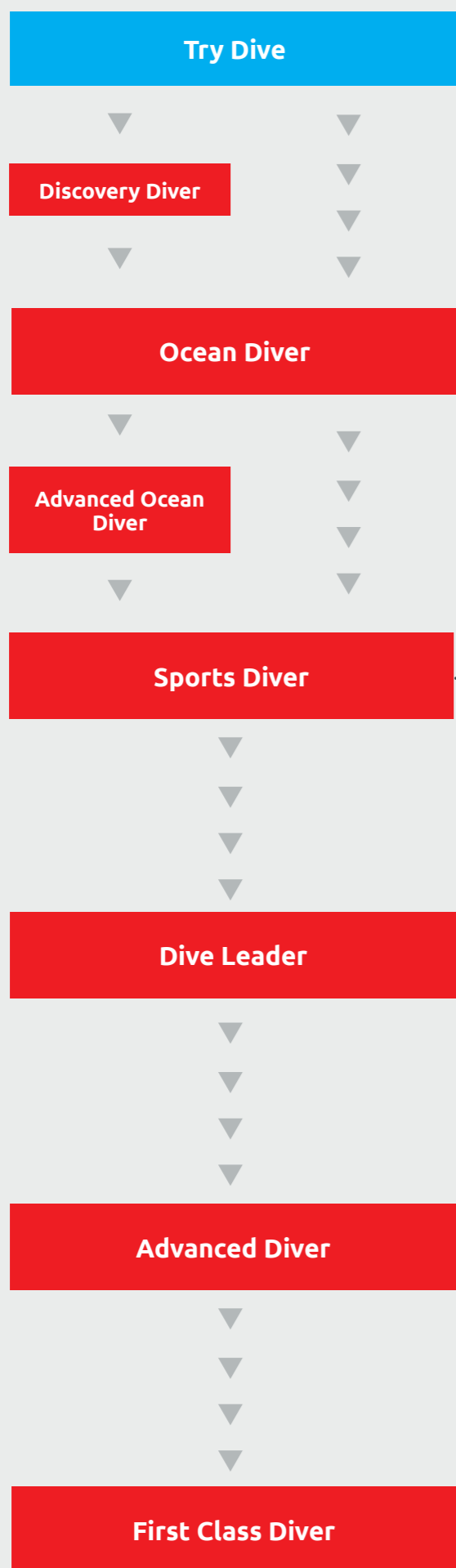


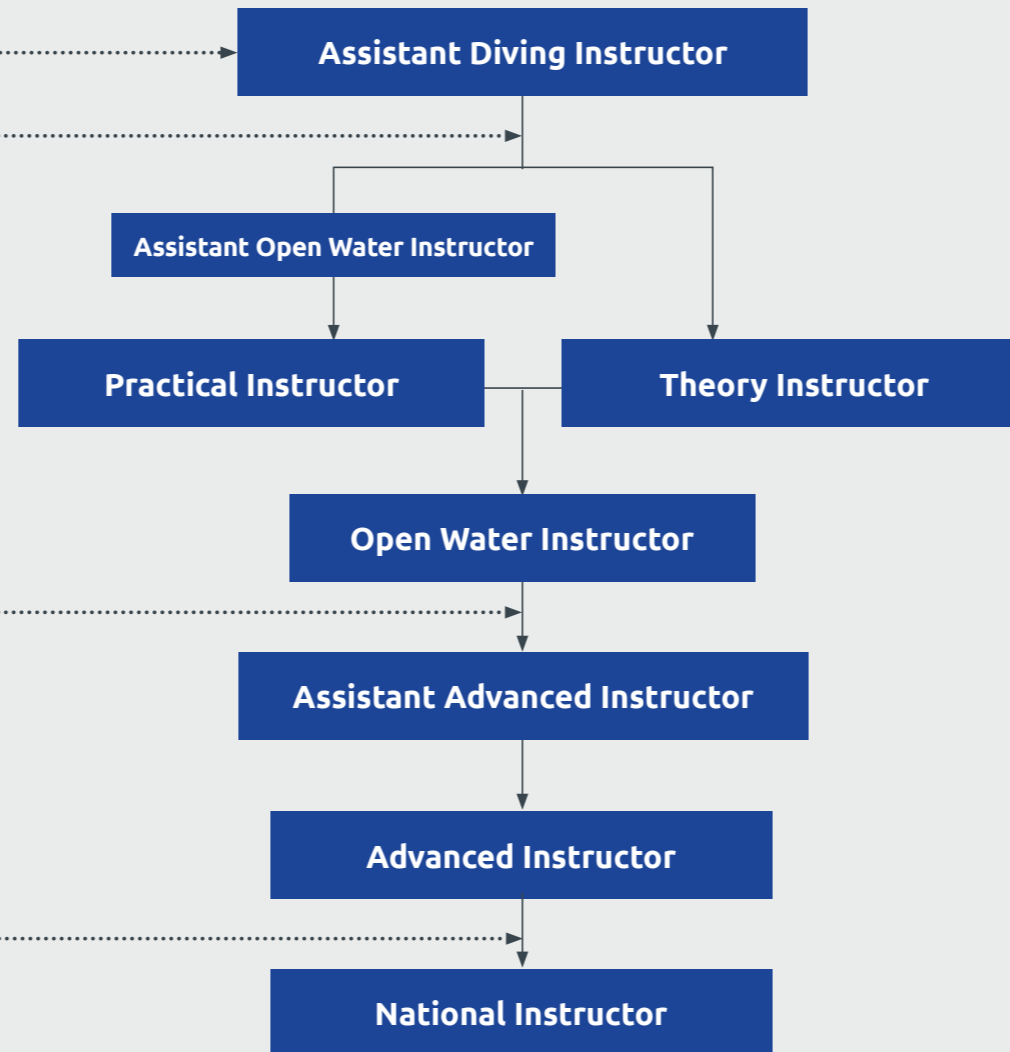
# BSAC training progression

Diver Training Programme

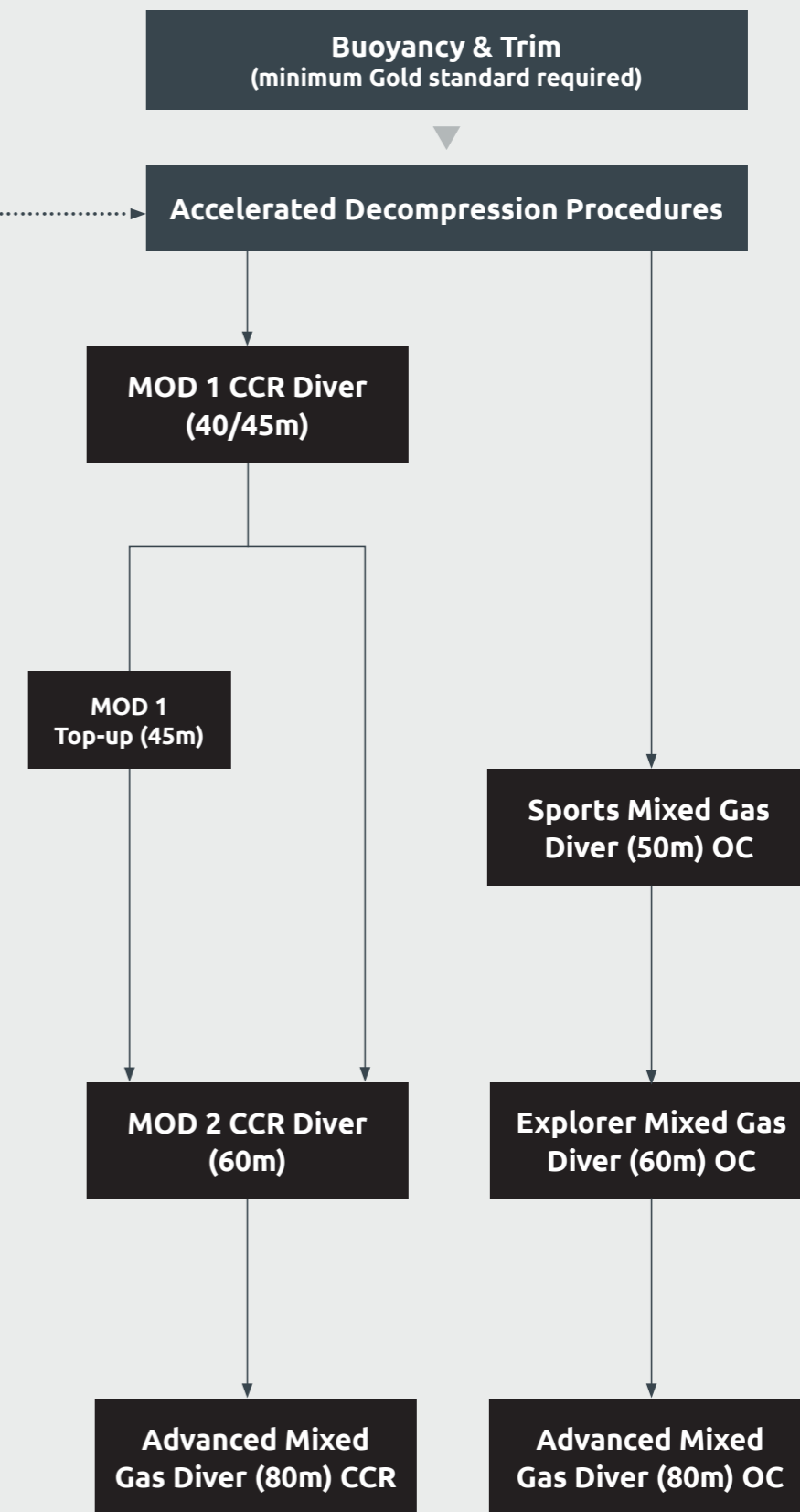


## Skill Development Courses (SDCs)

- Anyone can do these courses...
- Automated External Defibrillator
  - Boat Handling
  - Chartwork & Position Fixing
  - Compressor Operation
  - Diver Coxswain Assessment
  - Marine Life Appreciation
  - Outboard Engine & Boat Maintenance
- For Ocean Diver (or equivalent) and above...
- Buoyancy and Trim
  - Diving for All Dive Managers & Buddies
  - Drysuit Training
  - First Aid for Divers
  - Lifesaver Award / Advanced Lifesaver Award
  - Nitrox Workshop
  - Nitrox Gas Blender / Mixed Gas Blender
  - Oxygen Administration
  - RNLI Diver Sea Survival
  - Wreck Appreciation
- For Sports Diver (or equivalent) and above...
- Accelerated Decompression Procedures
  - Dive Planning and Management
  - Ice Diving
  - Practical Rescue Management
  - Primary Donate Workshop
  - Search and Recovery
  - Twin Set Diver
  - Underwater Photography
  - Wreck Diving / Advanced Wreck Diver



## Instructor Training Scheme (ITS)



Technical Diving Courses